

# Installation instructions

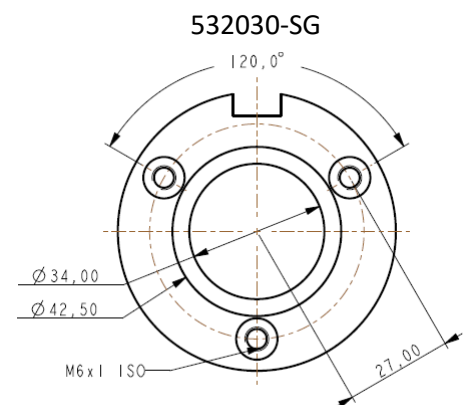
## Purpose

The purpose of this instruction is to give support to manufacturers of surgical pendants before installing outlets and tubes.

## Outlet

The outlet for surgical smoke evacuation (art. 532030-SG) is used for surgical smoke evacuation systems only, for example diathermia and laser smoke evacuation in operating rooms. For double mask evacuation use outlet 532030-DM.

The outlet shall be installed from the outside of the pendant or supply channel using countersink M5x35mm screws or equivalent. It is recommended to use press nuts or similar instead of loose nuts inside the pendant or supply channel.

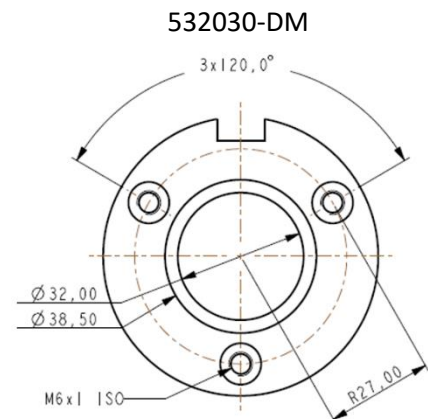


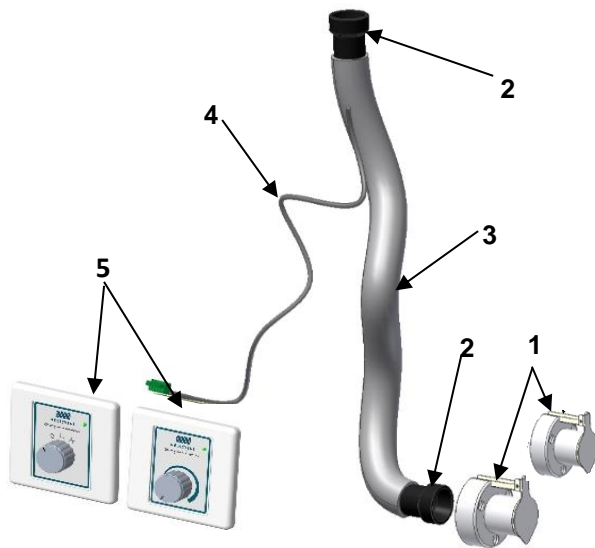
## Tubing

Evacuation tubing within the pendant or supply channel shall be at least **Ø32mm inside**. This is to provide the best conditions for the evacuation system. A tube with a smaller inside diameter will have a greater restriction of airflow and it will not be possible to achieve the correct flow limits in the system. Recommended tubing (3) and connectors (2) are available for order from Medicvent.

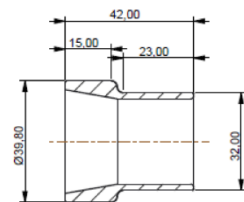
## Control panel and cable

For information regarding installation of control panels (5) and control cable (4) refer to installation manual for Motor valve (art. 192011).





Picture 2 .Art no.532026



Pict no.	Art. No.	Description
1	532030-SG	Outlet valve for smoke gas evacuation
1	532030-DM	Outlet valve for Double mask
2	532026	Adapter Outlet valve/Ø32mm
3	230013	Evac tube, PU+Steel spiral, Ø32mm,
4	100189	Control cable 5x0,5mm shielded
5	192014	Control panel 3-way
5	192016	Control panel SG stepless