



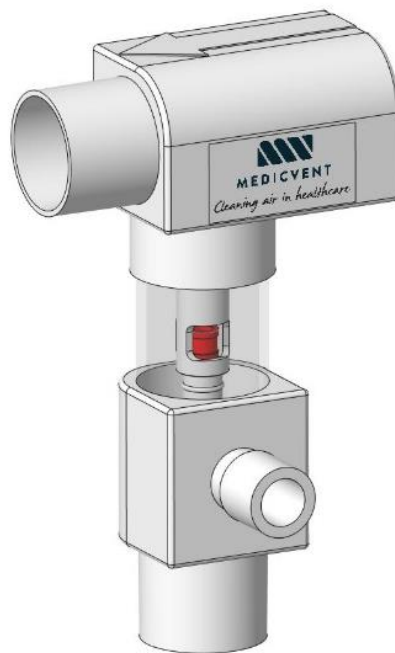
MEDICVENT

Cleaning air in healthcare

Instruction for use

237001 Outlet for expiration tube

Series 2-



Contents

- Intended use..... 3
- System components 4
- Assembly, mounting and first use 6
- Instructions, how to use..... 7
- Safety..... 8
- Cleaning instructions 9
- Maintenance 10
- Lifetime..... 10
- Disposal 10
- Storage 10
- Accessories. 10
- Key to symbols..... 11

Intended use

Evacuation System

Medicvent Outlet for expiration tube 237001 is part of Medicvent Evacuation System and shall only be used in combination with a Medicvent Fan System or a Medicvent Central System.

Intended use for Outlet for expiration tube 237001 is to evacuate exhaled gas from adult women in childbirth or children under the age of 12. The outlet evacuates exhaled gases so that personnel in the delivery room do not breathe high concentrations of nitrous oxide from the room air.

The collected gas is evacuated from the room with a Medicvent Fan System or a Medicvent Central System to the environment outside the hospital or to a purification apparatus where the gas is destroyed.

Patient Tubes

The patient expiration tube used with the outlet must contain a unidirectional valve. That will prevent the patient from inhaling from the outlet.

User qualification

The outlet shall be assembled and operated by healthcare professionals only.

The information provided with the devices is intended for health care professionals, with academic training equivalent to at least nurse.

System requirements

The outlet must be connected to a Medicvent Central System or Medicvent Fan Unit programmed for double mask or similar.

System components

Outlet expiration:



Figure 1

Reservoir tube (Ø 38 mm, length 1000 mm):

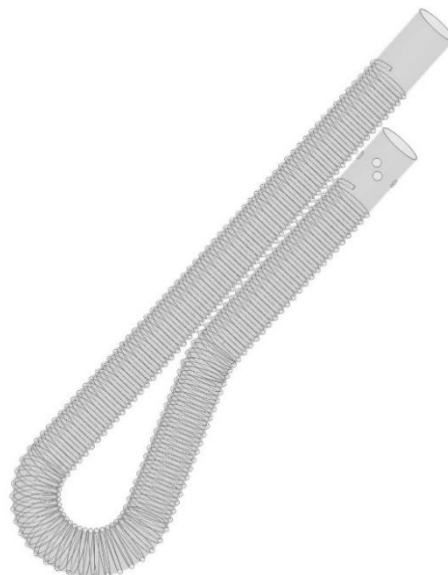


Figure 2

Function

Medivent Outlet for expiration tube 237001 is an expiration outlet for exhaled gases. The user connects a third-party expiration tube with unidirectional valves to the front of the outlet, the outlet got an evacuation flow created from Medicvent Evacuation System that continuously evacuates gas from the outlet. The outlet is open to the room through a reservoir tube, so it will not cause a noticeable down pressure in the expiration tube, and it will continuously suck air through the reservoir tube when there is no exhaled gas. If the patient exhales faster than the outlet can evacuate, the exhaled gas will be stored in the reservoir tube. When the patient inhales again, the outlet will evacuate the gas from the reservoir tube.

Assembly, mounting and first use

Preparations

- 1. Clean the outlet according to section: "cleaning instructions". The outlet is not packed sterile.

Assembly and mounting

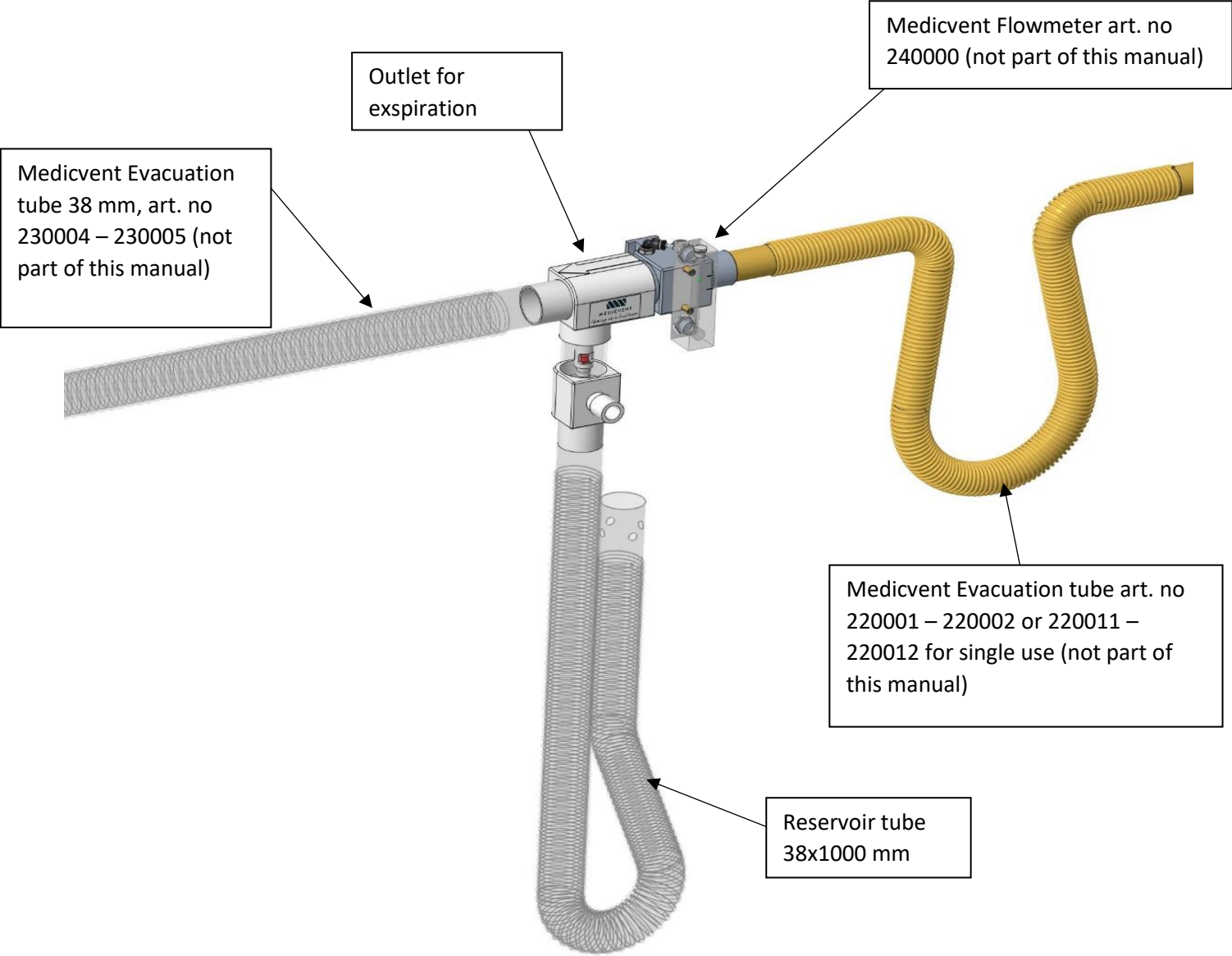


Figure 3: Mounted outlet

Mounting

1. See figure 3.
2. This instruction is written with the Medicvent Flowmeter and outlet facing you.
3. Place the outlet on Medicvent Flowmeter by pressing the right side of the outlet on the left side of the flow meter.
4. Press Medicvent Evacuation tube on the left side of the outlet.
5. Press the reservoir tube on bottom connection of the outlet. Make sure that the side with four holes is not connected to the outlet.

Instructions, how to use

The outlet shall always be used with Medicvent Bacterial and Viral Filter placed between the expiration tube and the outlet.

Instructions (see figure 3):

1. Place the filter on the outlet (connection for expiration tube).
2. Place the patient expiration tube on the filter.
3. Turn on the Medicvent evacuation system.
4. Confirm that red indication seen through the plexiglass has lifted, that will indicate that the system is functional.
5. Replace the filter after every use.

NOTE! If no filter has been used the outlet must be regarded as contaminated, see section cleaning instructions.

Safety

1. Make sure that the patient tubes used have a unidirectional valve in the expiration tube.
2. Make sure that the reservoir tube is connected correctly. The side with four holes must be open to the room and the other side connected to the outlet.
3. Make sure that the patient filter is replaced after every patient.
4. The red flow indication must be lifted and disappear from sight before the outlet can be used. That will indicate that the outlet is ready to use, see figure 4.

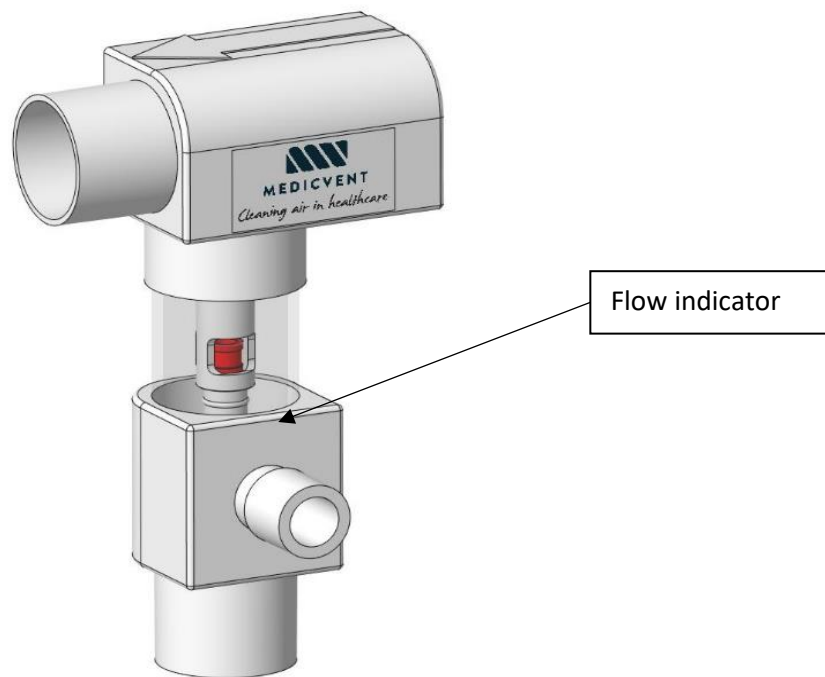


Figure 4

Cleaning instructions

Outlet

Wipe the outside of the outlet with a disinfection solution if necessary. The outlet is an evacuation outlet and not close to the patient. The outlet should also always be used with a filter, therefore there is no need for regular cleaning on the inside.

Recommended disinfection solutions may contain isopropyl alcohol or ethanol (maximum 70%) and surfactant to dissolve dirt.

Remove the outlet from the rest of the equipment every third month or sooner (if something is contaminating the inside of the outlet). Clean the inside of the outlet with a disinfection solution and rinse it with water afterward. Do not use the outlet until it is completely dry.

Reservoir tube

Wipe the outside of the reservoir tube with a disinfection solution if necessary. The reservoir tube is not close to the patient and connected to an evacuation outlet, so there is no need to regularly clean it on the inside, just the outside.

Recommended disinfection solutions may contain isopropyl alcohol or ethanol (maximum 70%) and surfactant to dissolve dirt.

In case of contamination.

Remove the reservoir tube from the outlet. The tube should be cleaned in a medical washer-disinfector or manually cleaned with a bottlebrush and disinfection solution. If manually cleaned, rinse with water afterward.

Medical washer-disinfector

The tubes must be placed according to the instructions from the washer-disinfector manufacturer. This usually means that the tubes must be connected to the water spreaders and wrapped around a washing rack. Hang the tubes in big circles. Make sure the end of the tube (not connected to the water spreader) is hanging and not laying on the bottom of the washing rack. This will help the water pass through the tubes more easily and help them dry during the drying phase.

Cleaning parameters

The tube shall be washed in a program of minimum 60 °C (140 °F) and maximum 75 °C (170°F) for at least 1 minute, maximum 5 minutes. If other washing programs with higher temperatures are used, the tube may be deformed and then must be replaced.

Detergents

Use an enzymatic, alkaline (pH ≤11) cleaning solution, according to the manufacturer's instruction, such as neodisher Mediclean Forte.

Maintenance

Except cleaning every third month according to the section “Cleaning instructions” the outlet shall be inspected once a year by the hospital personnel. Inspect the outside and the inside of the outlet by inspecting all the connections. If no visual damage is noticed, and the outlet works without any remarks, no further actions are needed. In case of cracks or other visual damage, replace the outlet.

Lifetime

The expected lifetime of the outlet and reservoir tube is 5 years and they should be replaced after that. Damaged or leaking products shall not be used, they must be replaced.

Disposal

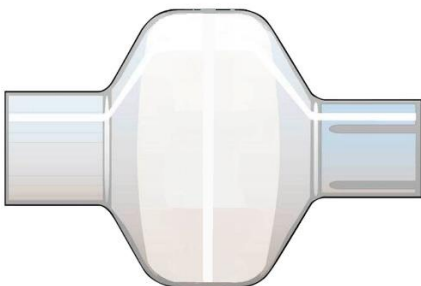
According to the hospital guidelines.

Storage

When not in use, the outlet and the reservoir tube shall be stored in room temperature in a dark storage, away from direct sunlight.

Accessories.






Disposable filter, replace after every patient.



Article number: 143012 or 143013

Quantity: 25 pcs / 50 pcs

Key to symbols

Symbol	Explanation
	Manufacturer followed by the name of the manufacturer and address.
	Batch. Followed by a batch number.
	Article number. Followed by article number.
	Do not store in direct sunlight.
	Read IFU.



Medicvent AB
Pendelgatan 3
SE-904 22 Umeå,
Sweden



Phone: +46 90 12 75 00



E-mail: info@medicvent.se



www.medicvent.se



MEDICVENT

Cleaning air in healthcare